

25Watts Single Output

IT-EMC-25S Series



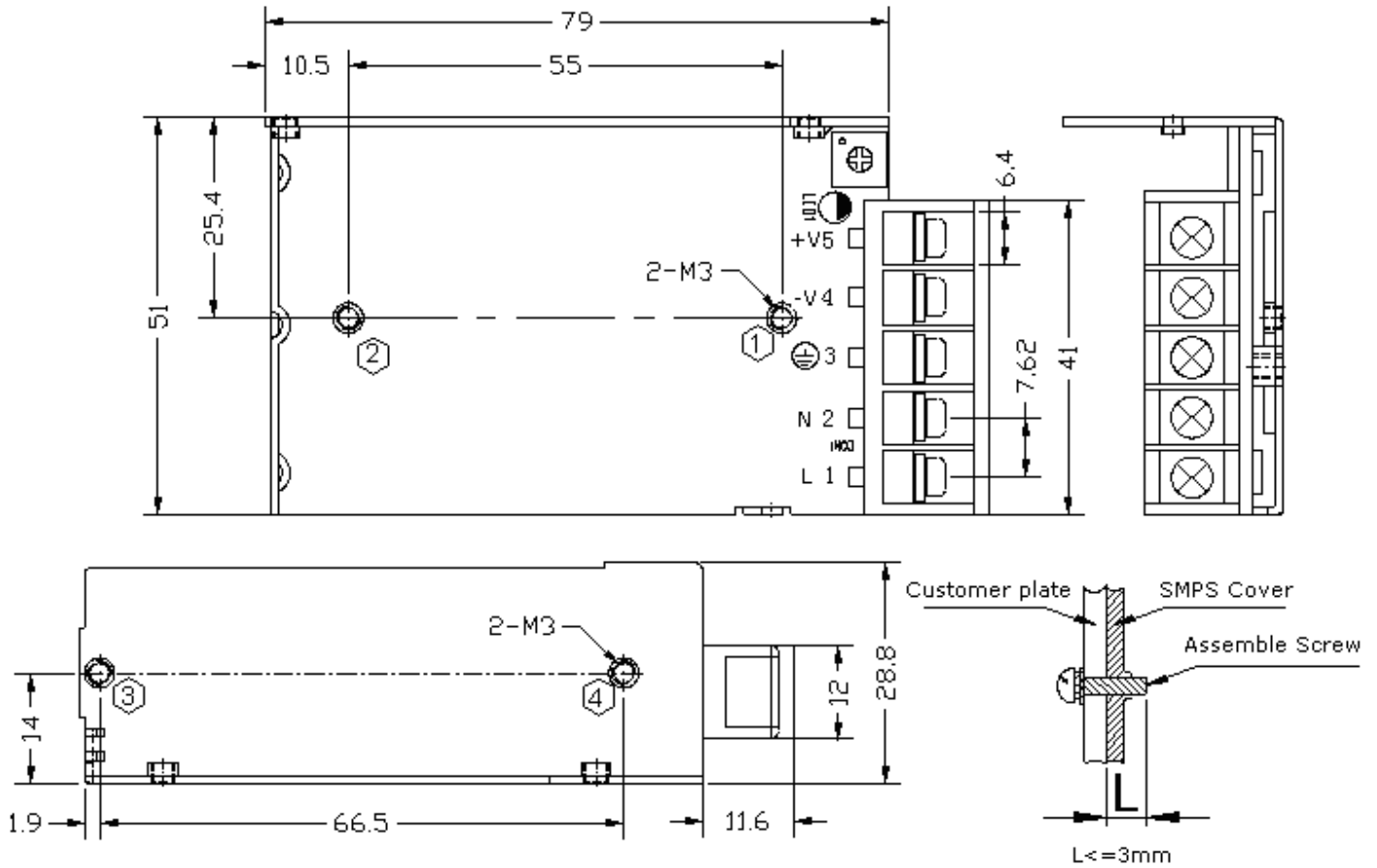
FEATURES:

- No Load power consumption < 0.5W
- Universal AC input range
- Miniature size, high power density, high efficiency, long life and high reliability
- Withstand 300VA surge input for 5 sec.
- Output protections: OLP/OPP/SCP
- Wide operating ambient temp (-20°C~70°C)
- All using 105°C long life electrolytic capacitors.
- 100% full load burn-in test
- PCB soldering side with conformal coating
- Suitable for critical applications
- 3 years warranty

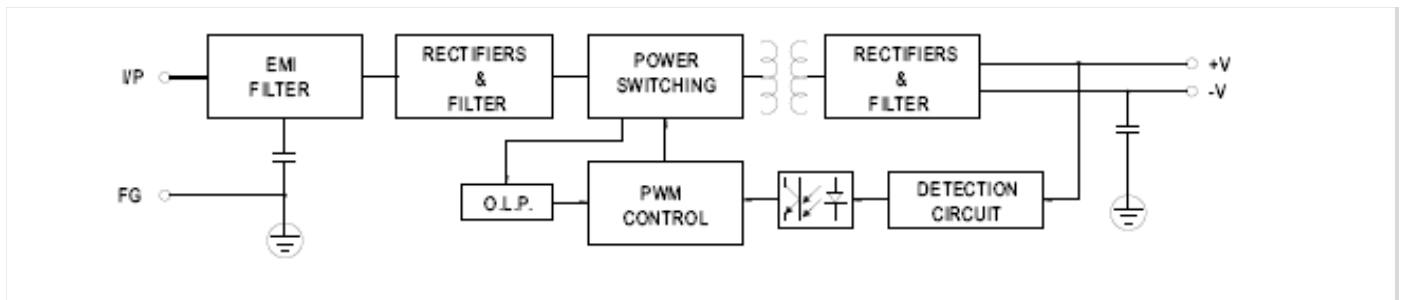
SPECIFICATION

MODEL	IT-EMC-25S		-S3.3	-S5	-S12	-S15	-S24
OUTPUT	DC Output		3.3V	5V	12V	15V	24V
	Rated Current		6A	5A	2.1A	1.7 A	1.1A
	Current Range		0~6A	0~5A	0~2.1A	0~1.7A	0~1.1A
	Ripple and Noise	-20~70°C	<50mV	<80mV	<120mV	<150mV	<240mV
	Note 2						
	Voltage ADJ. Range		3.1~3.5V	4.75~5.25V	11.4~12.6V	14.25~15.75V	22.8~25.2V
	Voltage Accuracy		±2.0%				
	Line Regulation		±1%				
	Load Regulation		±2.0%				
	Set-up Time		<1.0S (115Vac input, Full load); <2.0S (230Vac input, Full load)				
	Hold up Time		>10mS(115Vac input, Full load); >20mS(230Vac input, Full load)				
	Temperature Coefficient		±0.03%/°C				
Overshoot and Undershoot		<5.0%					
INPUT	Voltage Range		88Vac~264Vac				
	Frequency Range		47Hz~63Hz				
	Effi cie	115Vac input	70%	75%	80%	81%	83%
		230Vac input	71%	77%	82%	83%	84%
	AC Current (max.)		<0.7A				
	Inrush Current (Typical)		<20A@115Vac <40A@230Vac Cold start				
Leakage Current		Input—output:<0.25mA Input—PG:<3.5mA					
PROTECTION	Over Load		105%~150% of rated output current, constant power, auto recovery				
	Over Power		105%~150% of rated output power, constant power, auto recovery				
	Short Circuit		Long-term mode, auto recovery				
ENVIRONMENT	Operating amb. Temp. & Hum.		-20°C~70°C; 20%~90%RH No condensing (refer to the derating curve)				
	Storage Temp. & Hum.		-40°C~85°C; 10%~95%RH No condensing				
SAFETY & EMC Note 3	Safety Standards		UL60950-1 2 nd Ed; IEC 60950-1:2005(2 nd Ed); EN60950-1:2006				
	Withstand Voltage		Primary-Secondary: 3.0KVac; ≤10mA .Primary-PG: 1.5KVac; ≤10mA. Secondary-PG: 0.5KVDC; ≤10mA.				
	Isolation Resistance		100M ohms				
	EMC Emission		Compliance to EN55022 CALSS B FCC PART15 B				
	EMC Immunity		Compliance to EN61000-4-2,4,5,8,11;EN55024,EN61000-6-2 heavy industry level				
OTHERS	MTBF (MIL-HDBK-217F)		More than 200,000Hrs (25°C, Full load)				
	Dimension (L*W*H)		79x51x28.8mm				
	Packing		48PCS/CTN, 10.4KGS, 0.03CBM				
	Cooling method		Cooling by free air convection				
NOTE	1. All parameters NOT specially mentioned are measured at 230Vac input, rated load and 25°C of ambient temperature. 2. Measured at 20MHz of bandwidth by using a 12" twisted pair-wire terminated with a 0.1 uF & 10uF parallel capacitor.						

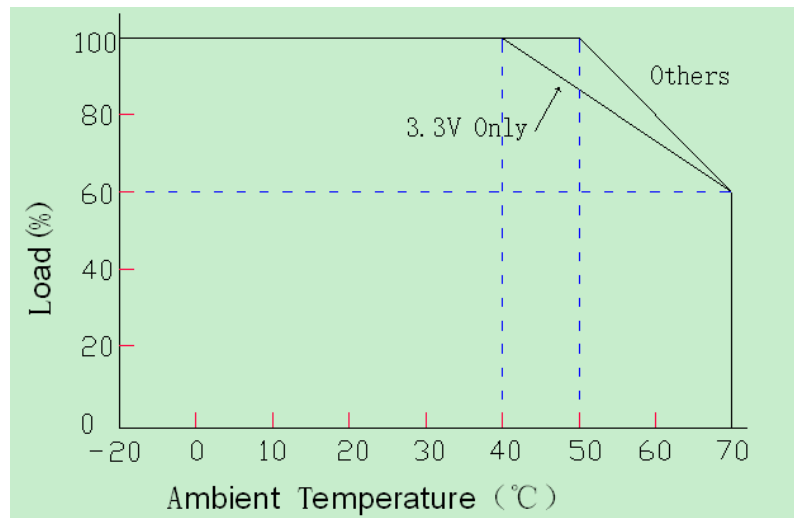
■ **Mechanical Specification** **Unit:mm**



■ **Block Diagram**



■ Derating Curve



All products, product specifications and data are subject to change without notice.